

# SMARTair™ Wired wall readers



ASSA ABLOY

## Technical data – SMARTair™ wall readers

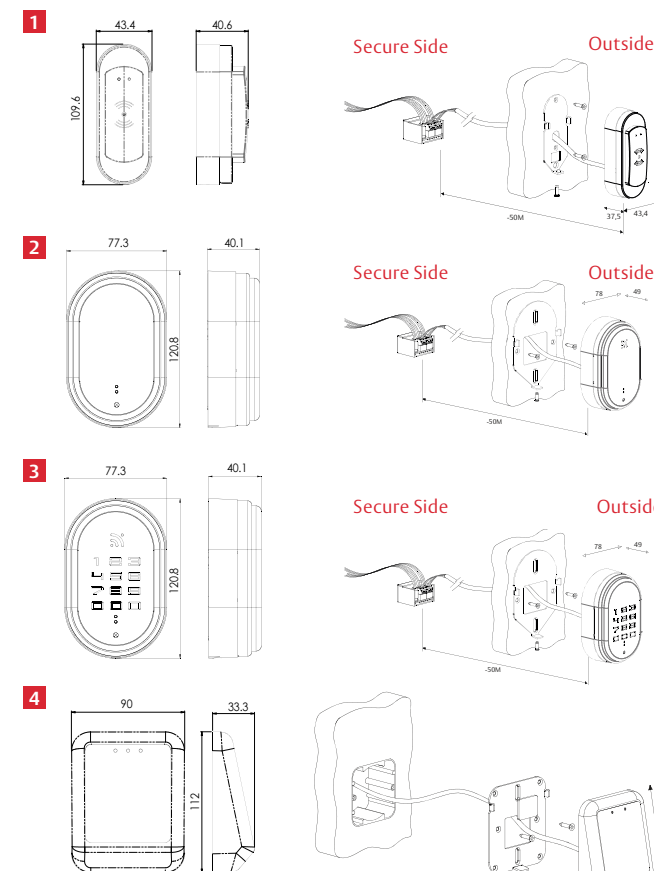
	<b>Application</b>	Doors (e.g. entrance, transit) and Gates, Elevators
	<b>Verticals</b>	All industries
	<b>Traffic volume</b>	High
	<b>Exterior usage</b>	Yes (IP55) Up to 85% humidity without condensation, Temperature (-10°C and +80°C)
	<b>Hardware compatibility and installation</b>	To be combined with electromechanical devices to unlock the door (e.g. electric strike plates, electromagnetic locks or escape routes), Cabling needed
	<b>Power supply</b>	Cabled 12-24 VCC
	<b>System management</b>	Stand-Alone, Offline, Update on Card, Wireless online
	<b>Multi-authentication</b>	Reader and PIN
	<b>Status information</b>	No
	<b>Certifications</b>	CE

## SMARTair™ wall reader types



1. Standard wall reader
2. Wall reader with Keypad for multiauthentication (Different levels: PIN, PIN & CARD, only Card), PIN: 4 to 6 digits
3. Cards contact wall reader/updater before presenting to door devices to update access rights of the door (for system management "Update on Card")
4. Slim design version for narrow or aluminium profile doors

## Technical drawings and dimensions



1. Small wall reader - slim design
2. Wall reader without keypad
3. Wall reader with keypad
4. Wall updater